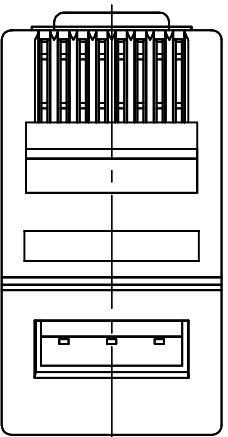
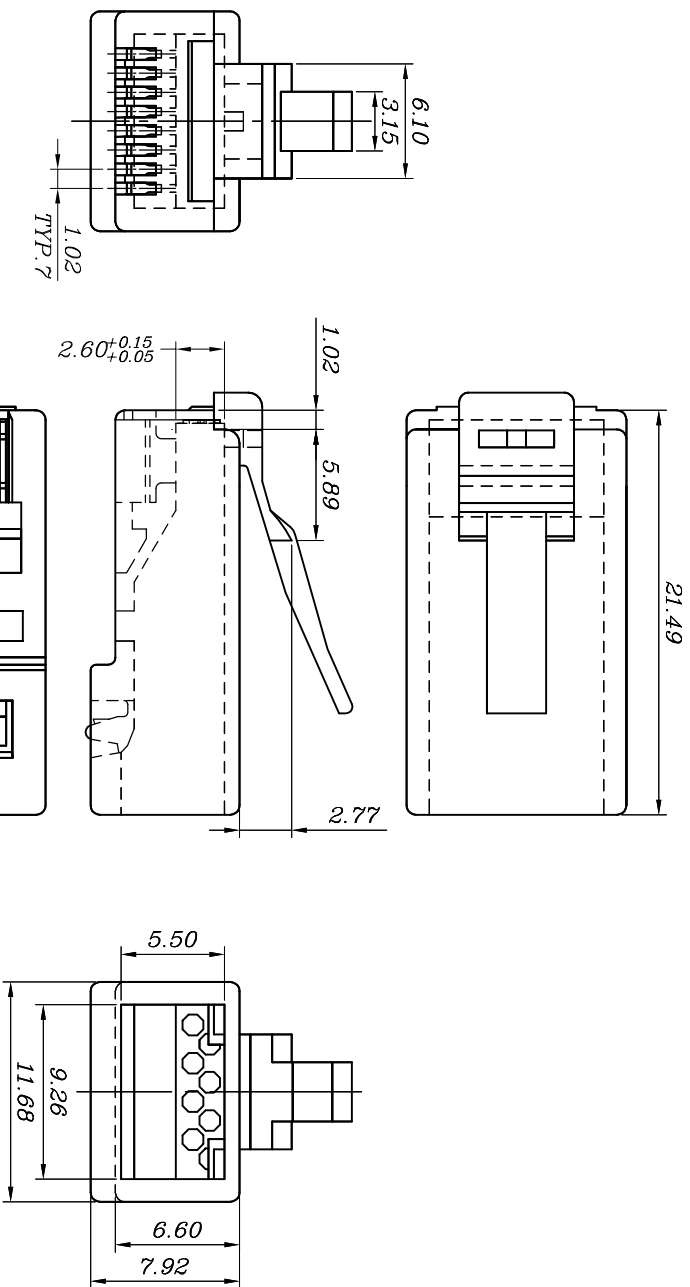


|     |            |              |      |       |
|-----|------------|--------------|------|-------|
| REV | DATE       | MODIFICATION | 修改内容 | 修改    |
|     | 2011/07/08 |              |      | DRAWN |

**SPECIFICATIONS**

- ELECTRICAL:**  
 UL APPLICATIONS: 250 VOLTS AC MAX., AT 2 AMPS.  
 DIELECTRIC WITHSTANDING VOLTAGE: 1000 VOLTS AC.  
 WITHSTAND VOLTAGE TIME: 60S.  
 INSULATION RESISTANCE: 100 M Ω.  
 TERMINATION: RESISTANCE 20m Ω MAX AFTER ENVIRONMENTAL TESTING.
- MECHANICAL:**  
 CABLE-TO-PLUG TENSILE STRENGTH: 20POUND MIN.  
 DURABILITY: 200 MATING CYCLES.  
 HOUSING: POLYCARBONATE: UL94V-0 OR UL94V-2.  
 MATERIAL & FINISH:  
 COLOR: TRANSPARENT OR OTHER COLOR ARE AVAILABLE.  
 CONTACT BLADE: COPPER ALLOY.  
 CONDUCTOR: STRANDED & SOLID WIRE. 24AWG, 26 AWG.  
 GOLD PLATING: 3u"-50u" ARE AVAILABLE.



- 规范**  
 1. 电器:  
 UL应用最大250VOLTS AC.  
 介质耐电压特数:1000VOLTS AC.  
 耐压时间:60S.  
 绝缘阻抗:100百万欧姆.  
 终端阻抗:在环境测试后最大可承受20微欧姆终端阻抗.
- 机构**  
 拉力测试:至少20磅.  
 耐力测试:至少200次之插拔测试.
- 材质表面处理**  
 塑胶壳:聚碳酸酯:UL-94V-0 or UL94V-2.  
 颜色:透明,或者其他颜色亦可.  
 金片:铜合金.  
 导体:多股线&单股线,24AWG,26AWG.  
 镀金厚度:3u"-50u",皆可提供.

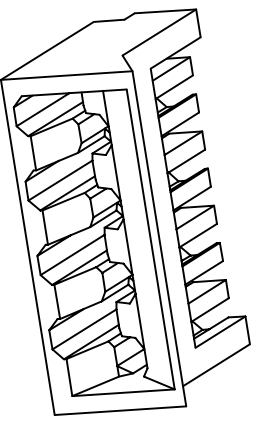
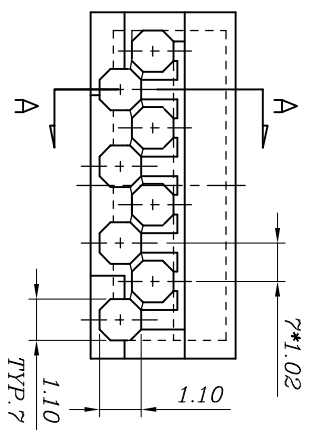
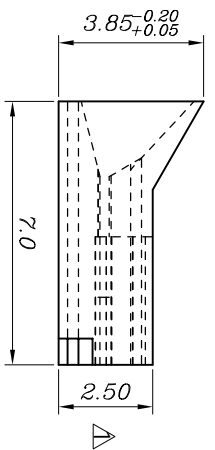
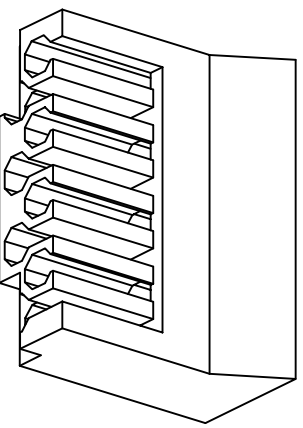
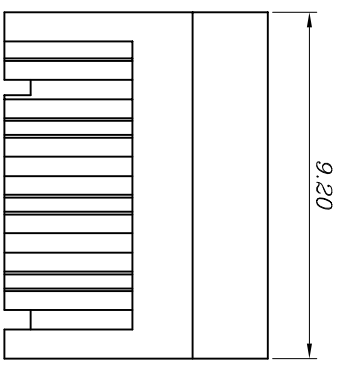
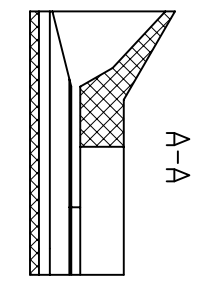
客户用产品图



|              |      |     |     |      |      |      |    |            |       |      |    |     |
|--------------|------|-----|-----|------|------|------|----|------------|-------|------|----|-----|
| BLADE:       | E    | EB  | Y   | YB   | Z    | A    | AE | AB         | EC    | AL   | ZL | YBL |
| Drawing      |      |     |     |      |      |      |    |            |       |      |    |     |
| Mark         |      |     |     |      | ✓    |      |    |            |       |      | ✓  |     |
| GOLD PLATING | 3Mu" | 3u" | 6u" | 15u" | 30u" | 50u" |    |            |       |      |    |     |
| Mark         |      |     |     |      |      | ✓    |    |            |       |      |    |     |
|              |      |     |     |      |      |      |    | CABLE TYPE | ROUND | FLAT |    |     |
|              |      |     |     |      |      |      |    | Mark       | ✓     |      |    |     |

|                                      |         |   |                      |
|--------------------------------------|---------|---|----------------------|
| <b>EXW</b>                           |         | 宁波卓新通讯连接器有限公司<br>NINGBO EXCELLENCE COMMUNICATED CONNECTOR CO.,LTD |                      |
| DIMENSION IN mm (Inch)               |         | 材 质   | 图 号                  |
| TOLERANCE UNLESS OTHERWISE SPECIFIED |         | MATERIAL  | DWG NO.              |
| .X±0.20                              | .X°±5°  | PC  | PLUG-053-0001        |
| .XX±0.10                             | .XX°±2° | 名称  | P88R5Z50V21T(线孔高2.6) |
| 审核                                   | 核对      | 制 图   | 比 例                  |
| 沈红波                                  | 钟均江     | Cathylli  | 5/2                  |
| APPROVAL                             | CHECKED | 角法  | 张数                   |
|                                      |         | PROJ.   | 1/1                  |
|                                      |         | REV   | A                    |

|     |            |              |       |
|-----|------------|--------------|-------|
| 更改  | 出图日期       | 设计内容         | 修改    |
| REV | DATE       | MODIFICATION | DRAWN |
|     | 2011/10/17 |              |       |



客户用产品图

(It can be used for the wire OD from  $\varnothing 0.98$ ~ $\varnothing 1.05$ )  
 (芯线直径:  $\varnothing 0.98$ ~ $\varnothing 1.05$ 均可适用)



|  |                   |                 |            |
|--|-------------------|-----------------|------------|
| <b>EXW</b>                                       |                   | 宁波卓新通讯连接器有限公司   |            |
| NINGBO EXCELLENCE COMMUNICATED CONNECTOR CO.,LTD |                   |                 |            |
| DIMENSION IN mm (Inch)                           | 材 质               | 材 质             | 图 号        |
| TOLERANCE UNLESS OTHERWISE SPECIFIED             | PC                | PLUG INSERT-040 | DWG NO     |
| X $\pm 0.20$                                     | X $\pm 5^\circ$   | 名称              | 双排支架(高2.5) |
| XX $\pm 0.10$                                    | .XX $\pm 2^\circ$ | TITLE           |            |
| 审 核  | 核 对               | 制 图             | 比 例        |
| 沈红波  | 钟均江               | CathyLi         | 5/1        |
|  |                   | 角法              | 张数         |
|  |                   | REV             | 1/1        |
|  |                   |                 | H          |

ST-DR-009A